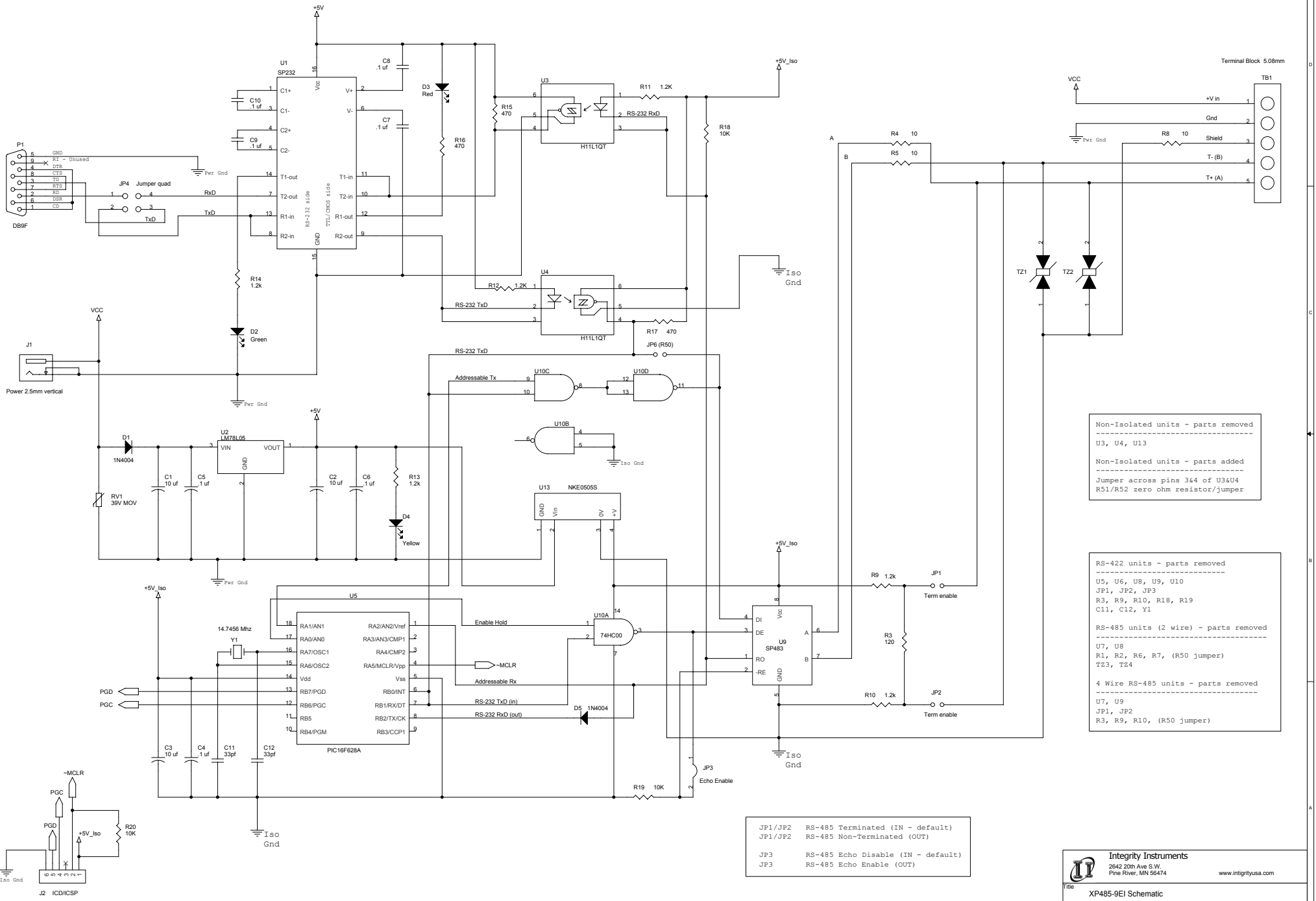


JP4 (jumpers in 1-4 and 2-3) DCE (default)  
 JP4 (jumpers in 1-2 and 3-4) DTE



Non-Isolated units - parts removed  
 -----  
 U3, U4, U13  
 Non-Isolated units - parts added  
 -----  
 Jumper across pins 3&4 of U3&U4  
 R51/R52 zero ohm resistor/jumper

RS-422 units - parts removed  
 -----  
 U5, U6, U8, U9, U10  
 JP1, JP2, JP3  
 R3, R9, R10, R18, R19  
 C11, C12, Y1  
 RS-485 units (2 wire) - parts removed  
 -----  
 U7, U8  
 R1, R2, R6, R7, (R50 jumper)  
 T23, T24  
 4 Wire RS-485 units - parts removed  
 -----  
 U7, U9  
 JP1, JP2  
 R3, R9, R10, (R50 jumper)

JP1/JP2 RS-485 Terminated (IN - default)  
 JP1/JP2 RS-485 Non-Terminated (OUT)  
 JP3 RS-485 Echo Disable (IN - default)  
 JP3 RS-485 Echo Enable (OUT)

<b>Integrity Instruments</b> 2642 20th Ave S.W. Pine River, MN 56474 <a href="http://www.integrityusa.com">www.integrityusa.com</a>		
Title: <b>XP485-9E1 Schematic</b>		
Size: C	Document Number: <Doc>	Rev: <RevCode>
Date: Wednesday, May 05, 2004 Sheet 1 of 1		