

1781, Classic & WRC4 Series Single Point Discrete I/O

SPECIFICATIONS

DC output modules

- To specify the WRC4 package, use the prefix "WRC4" (eg. WRC4-OB5S.)
- To specify the slim package, use the "S" suffix with the 1781 prefix (eg. 1781-OB5S.)
- To specify the mini package, use the "M" suffix with the 1781 prefix (eg. 1781-OB5M.)
- To specify the standard package, use the "Classic" part number (eg. ODC5A.)

Discrete I/O Modules

INPUT: WRC4 and 1781 INPUT: CLASSIC	OB5S ODC5	OBYS ODC15	OBXS ODC24	OC5S ODC5A	OCYS ODC15A	OCXS ODC24A	OB5S11	OBYS11	OBXS11	Units
Nominal input voltage	5	15	24	5	15	24	5	15	24	V dc
Min input volt. @ pin 3 - WRC4	4	10	18	4	10	18	4	10	18	V dc
Min input volt. @ pin 3 - 1781	2.5	8.5	16.5	2.5	8.5	16.5	2.5	8.5	16.5	V dc
Max input volt. @ pin 3 - WRC4	7.5	20	30.5	7.5	20	30.5	7.5	20	30.5	V dc
Max input volt. @ pin 3 - 1781	7.5	20	30.5	7.5	20	30.5	7.5	20	30.5	V dc
Must turn off voltage for 1781	1.0	1.0	1.0	2.0	2.0	2.0	1.0	1.0	1.0	V dc
Must turn off voltage for WRC4	2.0	2.0	2.0	2.0	2.0	2.0	2.0	2.0	2.0	V dc
Typical input current	10	10	11	10	10	11	10	10	11	mA dc
Maximum input current	27	20	15	27	20	15	27	20	15	mA dc
Nominal input resistance	240	900	2.2K	240	900	2.2K	240	900	2.2K	ohm

OUTPUT										
Nominal line voltage	24	24	24	100	100	100	24	24	24	V dc
Maximum line voltage	60	60	60	200	200	200	60	60	60	V dc
Minimum line voltage	3	3	3	5	5	5	3	3	3	V dc
Max peak off-state voltage	60	60	60	200	200	200	60	60	60	V
Max. off-state leakage cur.	1.0	1.0	1.0	2.0	2.0	2.0	0.1	0.1	0.1	mA dc
Maximum on-state current	3*	3*	3*	1**	1**	1**	3*	3*	3*	A dc
Minimum on-state current	10	10	10	10	10	10	10	10	10	mA dc
Maximum 1 second surge	5	5	5	5	5	5	5	5	5	A peak
Peak on-state volt. @ 25 C	1.5	1.5	1.5	1.5	1.5	1.5	1.5	1.5	1.5	V peak
Maximum turn-on time	50	50	50	50	50	50	50	50	50	sec
Nominal turn-on time	10	10	10	10	10	10	10	10	10	sec
Maximum Turn-off Time	100	100	100	100	100	100	100	100	100	sec
Derating per above 60 C	33*	33*	33*	20**	20**	20**	33*	33*	33*	mA
Fuse rating (WRC4 only)	4	4	4	1	1	1	4	4	4	fast-acting

General specifications

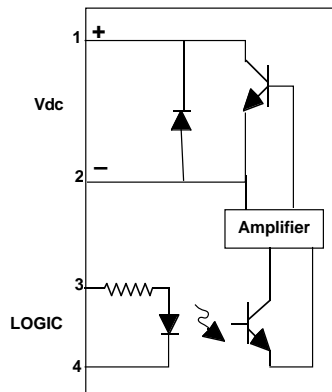
Operating temperature range -30 to +80 C
 Storage temperature range -40 to +100 C
 Capacitance input to output 8 pF

Application notes

- Do not install or remove modules in live (electrically hot) circuits. High voltage may be present.
- Output connections are polarized
- An externally located commutating diode must be installed across inductive loads.
- OF__ and OG__ modules are Mosfet-switched devices.

* Derate 33mA/deg. above 25 C
 ** Derate 20mA/deg above 60 C
 † Derate 50mA/deg. above 60 C

1781 and Classic



WRC4

