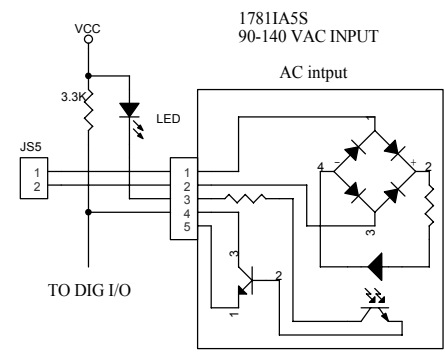
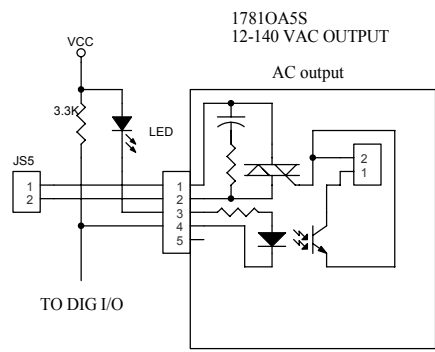


PINNING

PIN 1	+ INPUT	+ OUTPUT	
PIN 2	- INPUT	- OUTPUT	
PIN 3	VCC	VCC	
PIN 4	TO MPU	TO MPU	- AS OUT + AS IN
PIN 5	GND	GND	



Title		
I/O MODULES EQUIVALENT SCHEMATIC		
Size	Document Number	Rev
B	EXPANDER I/O MODULES	
Date:	Monday, June 30, 2003	Sheet 1 of 1