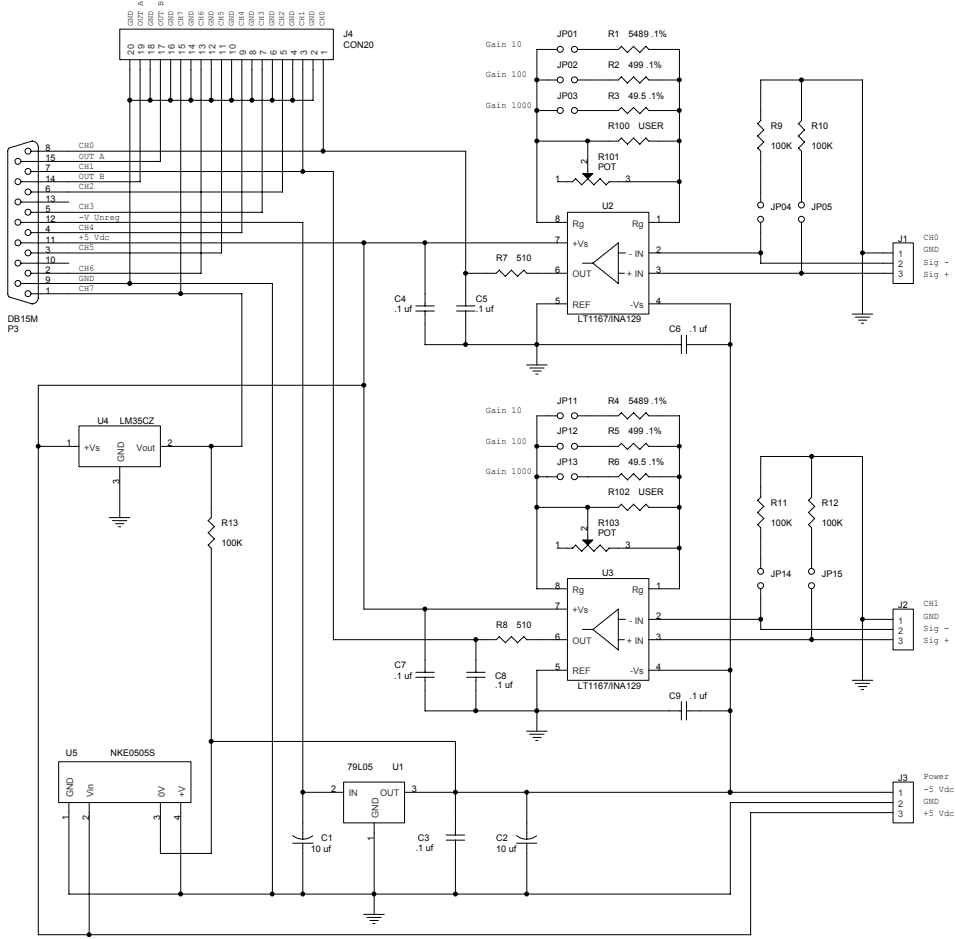


- Pin 8: CH0
- Pin 7: CH1
- Pin 6: CH2
- Pin 5: CH3
- Pin 4: CH4
- Pin 3: CH5
- Pin 2: CH6
- Pin 1: CH7
- Pin 15: Out A
- Pin 14: Out B
- Pin 13: Vref
- Pin 12: +V Unreg
- Pin 11: +5 Vdc
- Pin 10: +V Unreg
- Pin 9: GND



REV 1.2 ADDED TOLERANCE TO R1 R2 R3
 R4 R5 AND R6
 REV 1.1 CHANGED JUMPER NOMENCLATURE
 TO EXISTING, 10 PLACES

Integrity Instruments		
2642 20th Avenue S.W. Pine River, MN 55474		
ASC-2CH ANALOG CONDITIONER SCHEMATIC		
Size	Document Number	Rev
C	<Doc>	1.2
Date:	Monday, December 23, 2002	Sheet 1 of 1