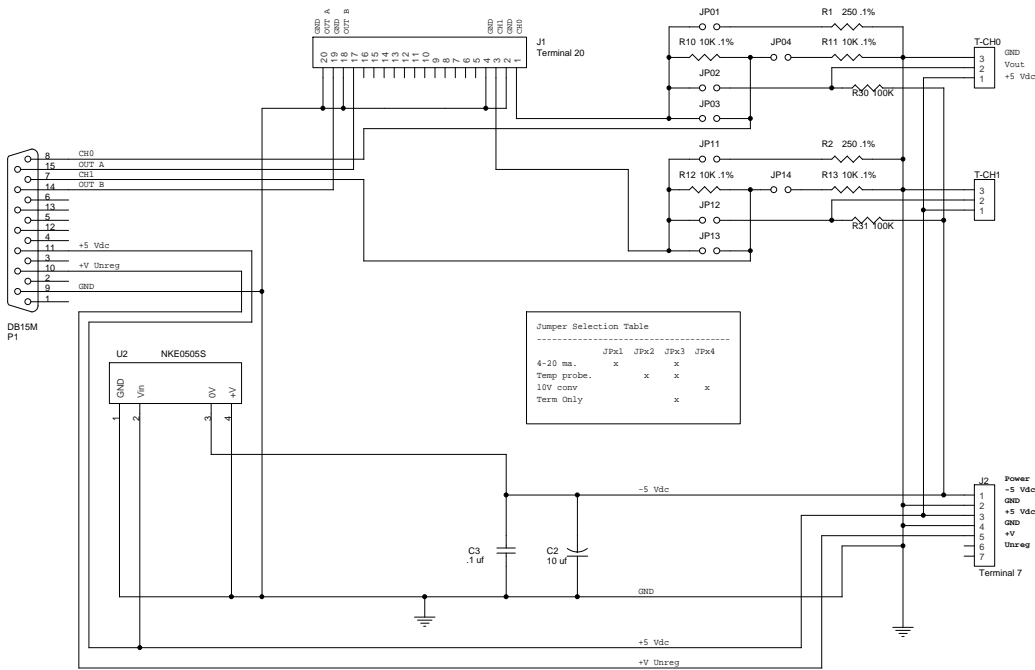


Pin 8: CH0
 Pin 7: CH1
 Pin 15: Out A
 Pin 14: Out B
 Pin 13: Vref
 Pin 11: +5 Vdc
 Pin 10: +V Unreg
 Pin 9: GND



Jumper Selection Table

	JPx1	JPx2	JPx3	JPx4
4-20 ma.	x	x	x	
Temp probe.		x	x	
10V conv			x	
Term Only			x	