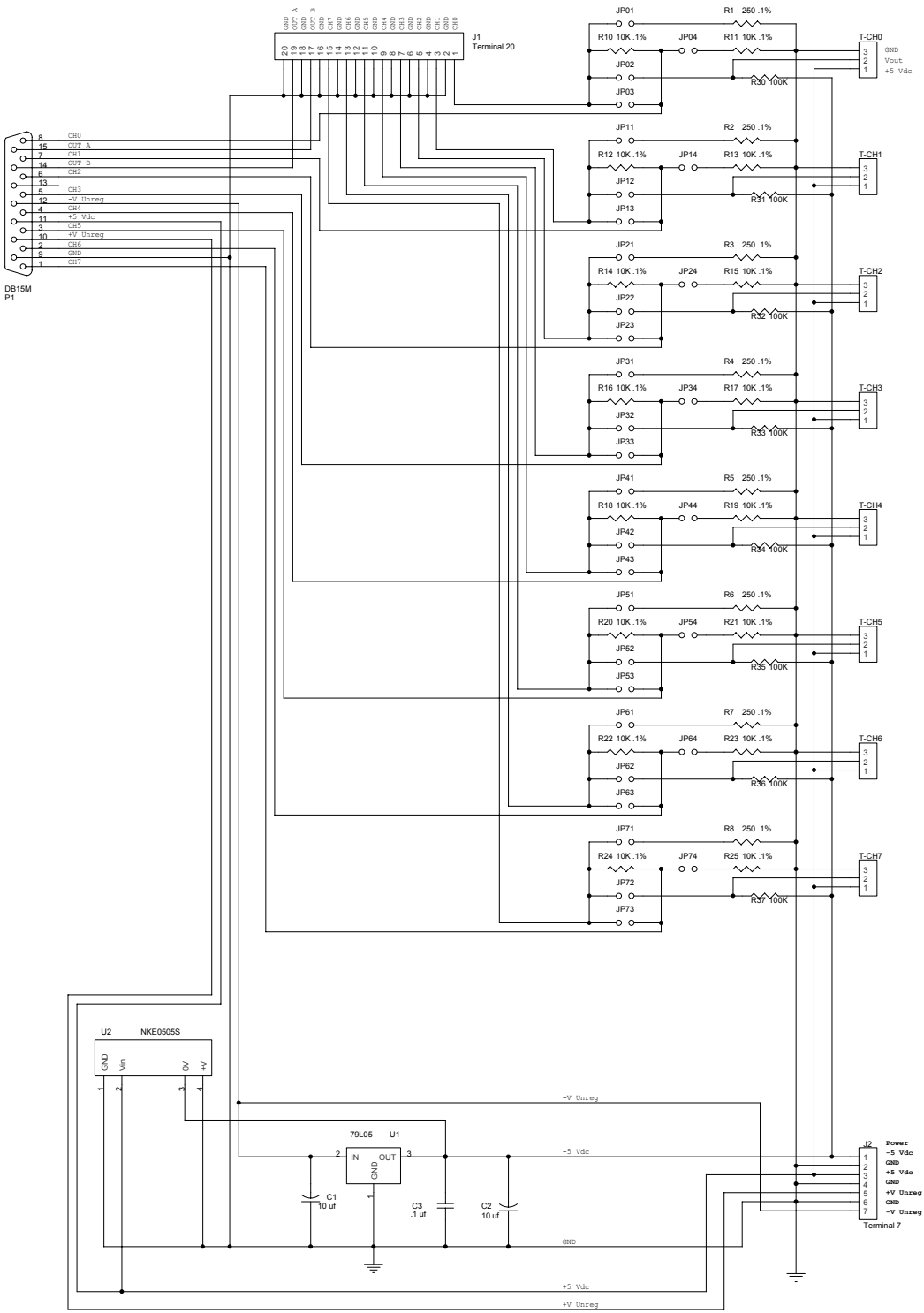


- Pin 8: CS0
- Pin 7: CS1
- Pin 6: CS2
- Pin 5: CS3
- Pin 4: CS4
- Pin 3: CS5
- Pin 2: CS6
- Pin 1: CS7
- Pin 15: Out A
- Pin 14: Out B
- Pin 13: Vref
- Pin 12: +V Unreg
- Pin 11: +5 Vdc
- Pin 10: +V Unreg
- Pin 9: GND
- Pin 8: CS0



Jumper Selection Table

	JP01	JP02	JP03	JP04
4-20 ma.	x	x	x	x
Temp probe.	x	x	x	
10V conv				x
Term only			x	

Rev 1.1  
Added term only jumper to table

<b>Integrity Instruments</b>	
2642 20th Avenue S.W. Pine River, MN 56474	
<b>AE-8CH ANALOG EXPANDER SCHEMATIC</b>	
Size C	Document Number <Doc>
Date: Thursday, January 16, 2003	Sheet 1 of 1