

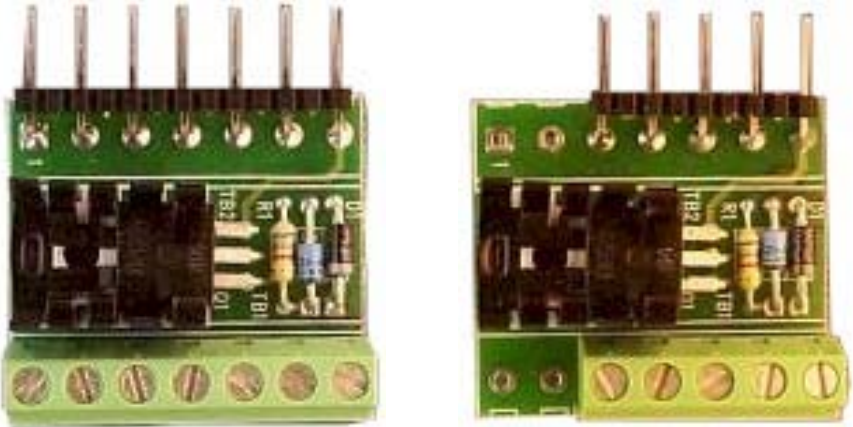


Integrity Instruments

P.O. Box 451
Pine River Minnesota
56474 USA

Order Phone 800-450-2001
Fax Phone 218-587-3414
Tech Phone 218-587-3120

<http://www.integrityusa.com>



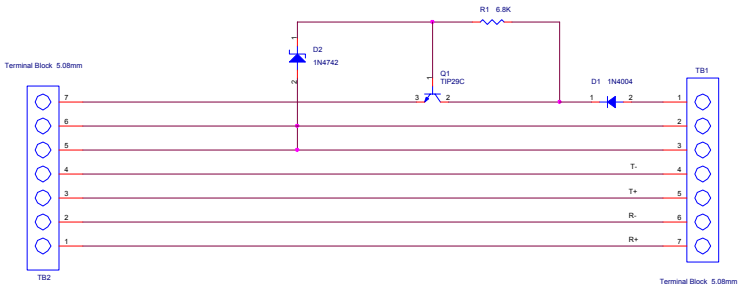
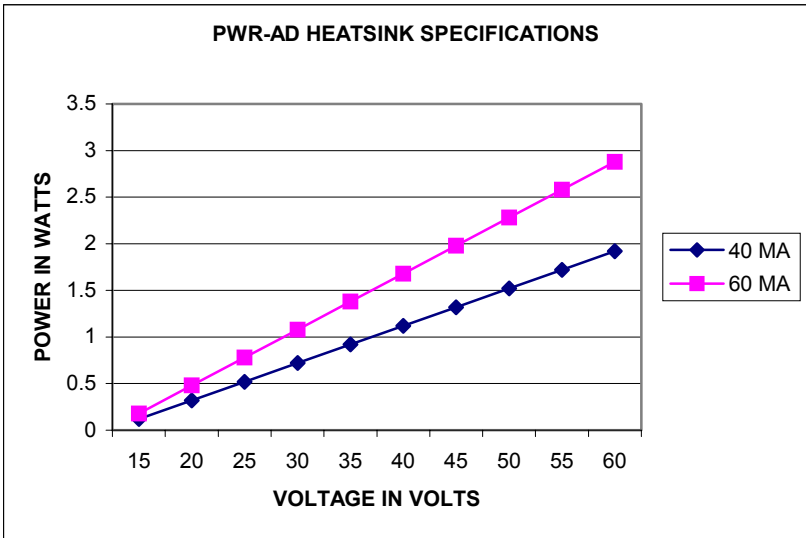
PWR AD5

PWR AD7

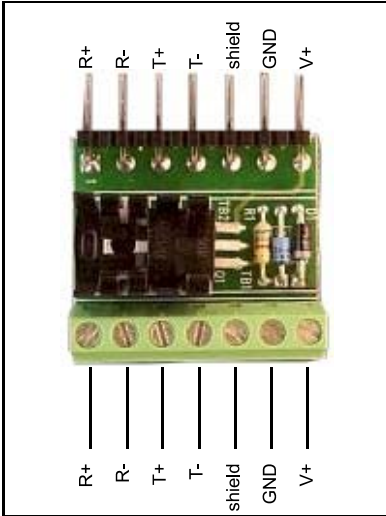
**Converter Input
Power Expander**

Integrity Instruments PWR-AD5/7 User Manual

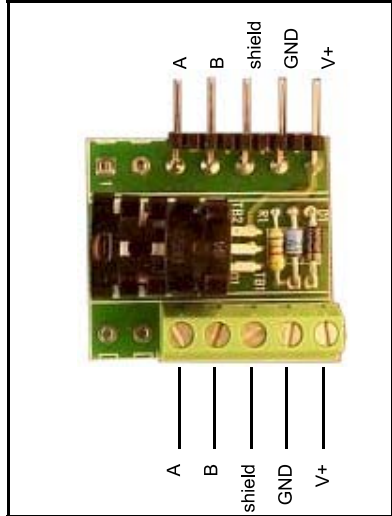
The Integrity Instruments Power Adapter (PWR-AD) is the solution for those who wish to run our converters from a higher source voltage. With the PWR-AD module you can run any of our converters from your own local power source up to 60 VDC. You need only to add the power adapter to your converter via the convenient screw terminals of the connector and your ready to accept your external power source. The chart shows the PWR-ADPT heat sink power dissipation for 40 and 60 MA draw.



**PWR-AD5 / PWR-AD7
Connector pin out**



PWR-AD7



PWR-AD5

Electrical Characteristics:

- * **V+** voltage up to 60Vdc at 60 ma output current
- * **V+** input is diode protected with a 1N4004
- * Power consumption is dependent on input voltage.

Power Adapter Connection

The pins of the power adapter are connected directly to the terminal strip of the Integrity Instruments device. Typically the PWR-AD7 is used with the 422 series of converters, and the PWR-AD5 is used with the 485 series of converters. The PWR-AD5 can also be used with the Integrity Instruments 485M300 series of data acquisition modules.

Integrity Instruments PWR-AD5/7 User Manual

NOTES:

WARRANTY

Integrity Instruments warranties **all** products against defective workmanship and components for the life of the unit. Integrity Instruments agrees to repair or replace, at its sole discretion, a defective product if returned to Integrity Instruments with proof of purchase. Products that have been mis-used, improperly applied, or subject to adverse operating conditions fall beyond the realm of defective workmanship and are not covered by this warranty.

Copyright © 2000, Integrity Instruments
All trademarks are property of their respective owners.
PWR-ADPT PUB